

**SPEC SHEET**

**PX91-mV**

*Interchangeable with  
Model TH-HPT*

**PX91 Series  
mV/V Output**

**0-5,000 to 0-200,000 psi  
0-350 bar to 0-14,000 bar**

1 bar = 14.5 psi  
1 kg/cm<sup>2</sup> = 14.22 psi  
1 Atmosphere = 14.7 psi = 29.93  
in-Hg = 760.2 mm-Hg = 1.014 bar

- ☑ **FM and CSA Approved  
Intrinsically Safe**
- ☑ **All Stainless Steel  
Construction**
- ☑ **High Operating Temperature  
218°C (425°F)**
- ☑ **Hermetically Sealed for Harsh  
Environments**

The OMEGADYNE PX91 Series is a rugged, very high temperature pressure transducer series. They are hermetically sealed, have all stainless steel construction and are designed for use in very high temperature test chambers. The PX91 is available in sealed gage pressures up to 200,000 psi and operating temperature up to 218°C (425°F). The pressure connection is via a High Pressure ferrule connection. FM/CSA approved Intrinsically Safe is standard.

# HIGH TEMPERATURE HIGH PRESSURE TRANSDUCER

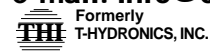


**\$845**  
PX91N0-10KSV  
*Shown Smaller Than  
Actual Size*

**For Sales and Service  
In U.S.A. and Canada**  
**1-800-872-3963<sup>SM</sup>**  
**1-800-USA-DYNE**  
**International Customers Dial**  
**(614) 965-9340**  
**24-Hour FAX (614) 965-9438**

**OMEGADYNE<sup>SM</sup> FAX**  
OMEGADYNE's 24-Hour  
On-Line Publishing Service  
**1-800-344-3963<sup>SM</sup>**  
**1-800-DIG-DYNE**  
*Document # 3714*

**OMEGADYNE, Inc.**  
149 Stelzer Court, Sunbury, OH 43074  
<http://www.omegadyne.com>  
**e-mail: info@omegadyne.com**



© COPYRIGHT 1996 OMEGADYNE, INC. ALL RIGHTS RESERVED.

► **Most Popular Models Highlighted** ◀ Prices Shown in U.S. Dollars

<b>To Order: (Specify Model Number)</b>			
Range (psi)	Model Number	Price	Compatible Meters
<b>Cable Style, Sealed Gage Pressure</b>			
0-5,000	PX91N0-5KSV	\$845	INFS, INFCS
0-10,000	PX91N0-10KSV	845	INFS, INFCS
0-15,000	PX91N0-15KSV	845	INFS, INFCS*
0-20,000	PX91N0-20KSV	845	INFS, INFCS*
0-30,000	PX91N0-30KSV	845	INFS, INFCS*
0-35,000	PX91N0-35KSV	845	INFS, INFCS*
0-50,000	PX91N0-50KSV	845	INFS, INFCS*
0-60,000	PX91N0-60KSV	845	INFS, INFCS*
0-80,000	PX91P0-80KSV	1250	INFS, INFCS*
0-100,000	PX91P0-100KSV	1250	INFS, INFCS*
0-120,000	PX91P0-120KSV	1450	INFS, INFCS*
0-150,000	PX91P0-150KSV	1600	INFS, INFCS*
0-200,000	PX91P0-200KSV	1800	INFS, INFCS*

\* 4 Digit meter

Interchangeable with Model TH-HPT

Metric Ranges available - Consult Engineering

**Ordering Examples:** 1.) **PX91P0-100KSV** is a 100,000 psi sealed gage model with a 1-14 NS fitting and 10 ft (3m) cable, \$1250.

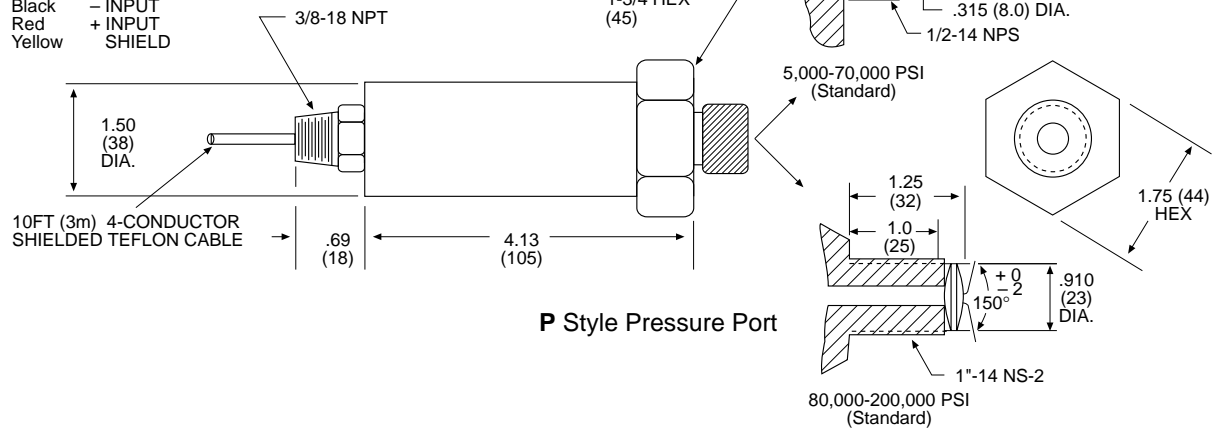
2.) **PX91N0-15KSV** is a 15,000 psi sealed gage model with 1/2-14 NPS fitting and 10 ft (3m) cable, \$845.

Printed On Recycled Paper



**Dimensions Shown in Inches (mm)**

**Wiring Code**  
 Green + OUTPUT  
 White - OUTPUT  
 Black - INPUT  
 Red + INPUT  
 Yellow SHIELD

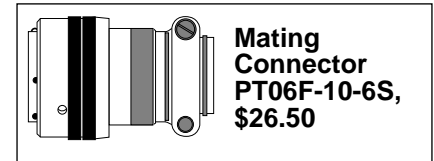


**SPECIFICATIONS: mV/V Output**

**Electrical:**  
**Excitation:** 10 V ac/dc (15V max)  
**Output:** 1 mV/V  
**Bridge Resistance:** 350 Ohms nominal  
**Zero Balance:** ±2.5%  
**Agency Approvals:** FM/CSA  
 Intrinsically Safe IS/I.I.II.III/1/CDEFG  
 Standard  
**Performance:**  
**Accuracy Class:** 0.5%  
**Linearity:** ±0.35% FSO <75K psi  
 ±0.50% FSO ≥75K psi  
**Hysteresis:** ±0.10% FSO  
**Repeatability:** ±0.10% FSO

**Environmental:**  
**Operational Temp Range:**  
 -73 to +218°C (-100 to +425°F)  
**Compensated Temp Range:**  
 -18 to +218°C (70 to +425°F)  
**Thermal Effects:**  
 Span: 0.005% Rdg/°F  
 Zero: 005% FSO/°F  
**Pressure:**  
**Proof Pressure:**  
 5K to 50K psi: 120% of rated pressure  
 60K to 200K psi: 110% of rated pressure  
**Burst Pressure:**  
 5K to 50K psi: 150% of rated pressure  
 60K to 200K psi: 120% of rated pressure

**Wetted Parts:**  
 5 to 50K: 17-4 PH Stainless Steel  
 60K to 200K: 455 Stainless Steel  
**Pressure Port:**  
 5K to 70K psi: 1/2-14 NPS (use with .315 dia. 59° ferrule)  
 > 70K psi: 1-14 NS-2 (use with .910 dia 150° ferrule)  
**Electrical Connection:** 10ft (3m)  
 4-conductor shielded Teflon cable



**CUSTOM CONFIGURATIONS:**

SERIES	PRESSURE PORT [ 1 ]	ELECTRICAL CONNECTION [ 2 ]	RANGE (PSI) [ 3 ]	UNITS [ 4 ]	OUTPUT [ 5 ]	OPTIONS [ 6 ]
PX91			5K 10K 15K 20K 30K 35K 50K 60K 80K 100K 120K 150K 200K	S = Sealed Gage mV/V 5 Volt 4-20mA	V = mV/V 5T = 0-5Vdc I = 4-20 mA	
				\$845 \$860 \$860		
				\$1250 \$1580 \$1500		
				\$1450 \$1580 \$1580		
				\$1600 \$1800 \$1800		
				\$1800 \$1900 \$1900		
		0 = 10 ft (3m) Teflon Cable \$4.50/ft over 10ft (3m) 1 = PT1H-10-6P Connector (or Equal), (no charge). Mating Connector not included order <b>PT06F-10-6S \$26.50</b> 5 = Lightning Protected Amplifier Housing (no charge)				
	Amplified Models Only					

**To Order a Custom Configuration:**  
 1. Select a Pressure Port  
 2. Select Electrical Connection  
 3. Select a Pressure Range  
 4. Select Pressure Units  
 5. Select Output  
 6. Select Agency Approvals

Interchangeable with Model HPT, HPT-V, HPT-VA  
 To order extra cable on Cable Style models, add suffix “-(length in feet)FT” and \$4.50/ft over the standard 10 ft (3m) length.  
**Ordering Examples:** 1.) **PX91P5-100KSI** is a 100,000 psi Sealed Gage Pressure range model with, 4-20 mA output, 1-14 NS-2 fitting and a lightning protected amplifier housing, \$1500.  
 2.) **PX91P1-80KS5T** is an 80,000 psi Sealed Gage Pressure range model with 0 to 5Vdc output, a 1-14 NS-2 fitting and an integral connector, \$1500. Mating Connector (not included) **PT06F-10-6S, \$26.50.**  
 3.) **PX91N0-50KSV-25FT** is a 50,000 psi Sealed Gage Pressure range model with mV/V output, 1/2-14 NPS fitting and 25ft (7.6m) cable, 845+67.50 = **\$912.50**  
 4.) **PX91P0-100KSI** is a 100,000 psi Sealed Gage Pressure range model with 4-20 mA output, 1-14 NS fitting and integral Bendix Connector, \$1500. Mating Connector (not included) **PT06F-10-6S, \$26.50.**